

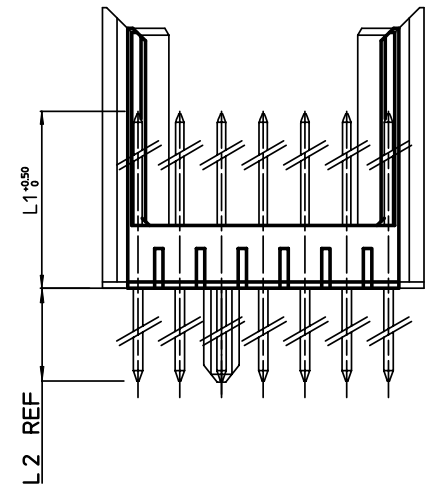
GEN. ST.	01	02	03	04	05	06	07	08	0D	50	60	70	80	90																	
INT. ST.	10	11	12	13	14	18	20	31	32	33	34	38	39	40	42	43	44	45	46	48	56	70	72	73	75	76	81	82	83	84	88

REV.	DATE	DESCRIPTION	BY	C'K'D'
A	2001-09-14	CONVERSION REVISION 01	KN	
B	2003-03-06	106-0026	ALEX B	BKP
C	2006-08-03	106-0119	VIVEK	BKP

MILLIPACS 2



SPECIAL LOADING PATTERNS: LEVEL INFO

- 0 = EMPTY LOCATION
- 1 = MATING LEVEL 1 (L1 = 8.2 MM / L2 = 4.5 REF / SHORT CONTACT)
- 2 = MATING LEVEL 2 (L1 = 9.7 MM / L2 = 4.5 REF / SHORT CONTACT)
- 3 = MATING LEVEL 3 (L1 = 11.2 MM / L2 = 4.5 REF / SHORT CONTACT)
- 4 = MATING LEVEL 1 (L1 = 8.2 MM / L2 = 3.7 REF / SHORT CONTACT)
- 5 = MATING LEVEL 2 (L1 = 9.7 MM / L2 = 3.7 REF / SHORT CONTACT)
- 6 = MATING LEVEL 3 (L1 = 11.2 MM / L2 = 3.7 REF / SHORT CONTACT)
- 7 = MATING LEVEL 1 / REAR SIDE LEVEL 1 (L1 = 8.2 MM / L2 = 13.0 REF / REAR PLUG-UP CONTACT)
- 8 = MATING LEVEL 1 / REAR SIDE LEVEL 2 (L1 = 8.2 MM / L2 = 14.5 REF / REAR PLUG-UP CONTACT)
- 9 = MATING LEVEL 1 / REAR SIDE LEVEL 3 (L1 = 8.2 MM / L2 = 16.0 REF / REAR PLUG-UP CONTACT)
- A = MATING LEVEL 2 / REAR SIDE LEVEL 1 (L1 = 9.7 MM / L2 = 13.0 REF / REAR PLUG-UP CONTACT)
- E = MATING LEVEL 2 / REAR SIDE LEVEL 2 (L1 = 9.7 MM / L2 = 14.5 REF / REAR PLUG-UP CONTACT)
- F = MATING LEVEL 2 / REAR SIDE LEVEL 3 (L1 = 9.7 MM / L2 = 16.0 REF / REAR PLUG-UP CONTACT)
- G = MATING LEVEL 3 / REAR SIDE LEVEL 1 (L1 = 11.2 MM / L2 = 13.0 REF / REAR PLUG-UP CONTACT)
- H = MATING LEVEL 3 / REAR SIDE LEVEL 2 (L1 = 11.2 MM / L2 = 14.5 REF / REAR PLUG-UP CONTACT)
- K = MATING LEVEL 3 / REAR SIDE LEVEL 3 (L1 = 11.2 MM / L2 = 16.0 REF / REAR PLUG-UP CONTACT)
- L = MATING LEVEL 1 (L1 = 8.2 MM / L2 = 13.0 REF / WIRE WRAP CONTACT)
- M = MATING LEVEL 2 (L1 = 9.7 MM / L2 = 13.0 REF / WIRE WRAP CONTACT)
- N = MATING LEVEL 3 (L1 = 11.2 MM / L2 = 13.0 REF / WIRE WRAP CONTACT)
- W = MATING LEVEL 1 (L1 = 8.2 MM / L2 = 2.1 REF / SHORT CONTACT)
- Y = MATING LEVEL 2 (L1 = 9.7 MM / L2 = 2.1 REF / SHORT CONTACT)
- Z = MATING LEVEL 3 (L1 = 11.2 MM / L2 = 2.1 REF / SHORT CONTACT)



NOTES

1. THIS PRODUCT IS CSA APPROVED.
2. THIS PRODUCT IS UL RECOGNIZED.

1DEC ±0.2 2DEC ±0.1 ANGLES ±1°	APPR.	DATE	SIGN.	MILLIPACS 2 / CONTACT LEVEL OVERVIEW
	DRAFT	1994-09-05	W.Panis	CAT. No. HM2P--P-----
	CHECKED			
WE RESERVE THE RIGHT TO CHANGE DIMENSIONS OR REQUIREMENTS WITHOUT PRIOR NOTICE.	PROD. MGR.			FCI www.fciconnect.com
	PR. ENG. MGR.			
	PR. MGT. MGR.			
ALL DIMENSIONS IN MM	REFERENCES			SCALE
 	BS,C ,201844,001 C			DRAWING No. CUSTOMER DRAWING REVISION

THIS IS OUR EXCLUSIVE PROPERTY. IT IS NOT TO BE COPIED, REPRINTED OR DISCLOSED TO A THIRD PARTY. NOR USED FOR MANUFACTURING WITHOUT OUR WRITTEN CONSENT, AND HAS TO BE RETURNED TO US IN CASE OF NO USAGE

DIT IS ONZE EIGENDOM EN MAG NIET HEGENMAAKT, HERDRUKT, OVERGEMAAKT AAN DERDEN, NOCH VOOR FABRIKATIE GEBRUIKT WORDEN, ZONDER ONZE SCHRIFTELIJKE TOELATING. BIJ NIET GEBRUIK IS TERUGZENDING VERPLICHT.